



Aertek SlimDri

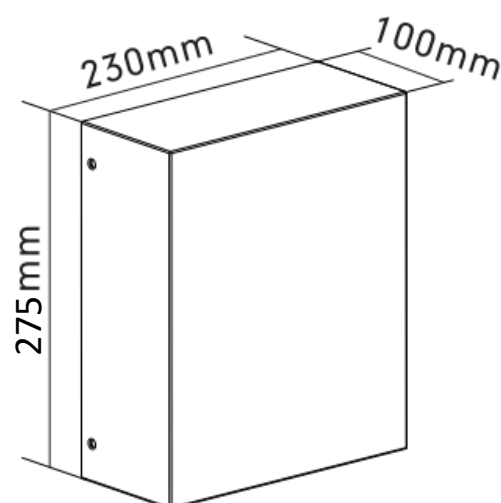


Aertek SlimDri is DDA compliant with HEPA-13 filtration, UVC Sterilising and available in PVD finishes

- ADA/DDA Compliant at 100mm projection
- High speed Brushless DC 50,000rpm motor
- Low-noise, Low Energy/Ultra Low Energy
- 2 HEPA Grade 13 filters
- UVC Steriliser as standard
- S/Steel 304 Satin, Black and Brass/Gold PVD

Technical Specifications

| | |
|-------------------------|---|
| Warranty | 3 Years |
| Green rating | 4.3 |
| Drying time (seconds) | 13-15 seconds |
| Peak Noise level (dB) | 70dB |
| Power (Watts) | 300 Watts- 700 Watts- |
| Voltage | 220-240V 50/60 Hz |
| IP rating | IP24 |
| Air speed (mph) | 224 mph |
| Hygiene Features | HEPA & Sterilising |
| Antimicrobial coating | None |
| Width (mm) | 230 |
| Height (mm) | 275 |
| Projection/Depth (mm) | 100 |
| Finishes available | Gold/BrassStainless Steel : Satin/Brushed |
| Aperture Type | Blade |
| Automatic / Manual | Automatic |
| External Switch | No |
| Heating Element | Yes (Adjustable) |
| Max Air Volume (m3/hr) | |
| Max Motor Speed (rpm) | 50000 |
| Standby Wattage (Watts) | 1 |





Aertek SlimDri



NBS BIM Data

NBS Code – **45-35-72 / 334 Hand dryers**

N13 Sanitary appliances and fittings

472 HAND DRYERS

Uniclass 2015 – **Pr_40_20_62_37 Hand dryers**

Pr_60_55_97_93 Ultraviolet (UV) disinfection devices

AERTEK SLIMDRI HAND DRYER – BRASS/GOLD PVD

Manufacturer and reference: **Aertek SlimDri**

o3 group ltd, Forsyth House, Belfast, BT2 8LA

W: www.o3group.uk

Contact: Colin O'Hare

E: mail@o3group.uk

Tel: +44 28 9065 6552

Product Reference: **Aertek SlimDri High Speed DDA Hand Dryer – Brass/Gold PVD**

Model Number : **AHD-ATSL03BR**

<https://www.ehanddryers.com/aertek-atsl03-slimdri-hand-dryer>

Description: High speed, Low energy, DDA compliant, Brushless, HEPA-filtered, UVC sterilising, Low-noise hand dryer

Body: Stainless Steel 304

Finish: Brass/Gold PVD (Physical Vapour Deposition)

Operation: Sensor IR Barrier

Hand Dryer Type: Hands-under blade, sterilising, filtered, carbon-free brushless DC motor

Drying Time: 13 Seconds

Noise: 70dB

Power: 700W – 300W adjustable

Standby Power: 1W

Electricity Supply: 220-240V AC 50/60Hz

Electrical Protection: IP24

Air Speed: 224mph

Motor Speed: 50,000rpm

Production: ROC Manufactured

Dimensions(WxHxD): 230x175x100(mm)

Warranty: 3 Year

Parts: HEPA Filters and UVC sterilising lamp are replaceable and will operate with or without





Aertek SlimDri



NBS BIM Data

NBS Code – **45-35-72 / 334 Hand dryers**

N13 Sanitary appliances and fittings

472 HAND DRYERS

Uniclass 2015 – **Pr_40_20_62_37 Hand dryers**

Pr_60_55_97_93 Ultraviolet (UV) disinfection devices

AERTEK SLIMDRI HAND DRYER – BLACK PVD

Manufacturer and reference: **Aertek SlimDri**

o3 group ltd, Forsyth House, Belfast, BT2 8LA

W: www.o3group.uk

Contact: Colin O'Hare

E: mail@o3group.uk

Tel: +44 28 9065 6552

Product Reference: **Aertek SlimDri High Speed DDA Hand Dryer – BLACK PVD**

Model Number : **AHD-ATSL03BK**

<https://www.ehanddryers.com/aertek-atsl03-slimdri-hand-dryer>

Description: High speed, Low energy, DDA compliant, Brushless, HEPA-filtered, UVC sterilising, Low-noise hand dryer

Body: Stainless Steel 304

Finish: Black PVD (Physical Vapour Deposition)

Operation: Sensor IR Barrier

Hand Dryer Type: Hands-under blade, sterilising, filtered, carbon-free brushless DC motor

Drying Time: 13 Seconds

Noise: 70dB

Power: 700W – 300W adjustable

Standby Power: 1W

Electricity Supply: 220-240V AC 50/60Hz

Electrical Protection: IP24

Air Speed: 224mph

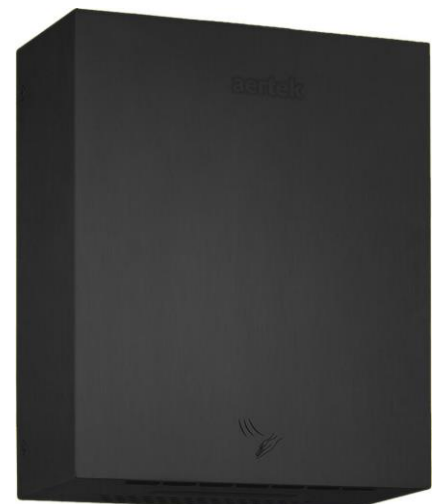
Motor Speed: 50,000rpm

Production: ROC Manufactured

Dimensions(WxHxD): 230x175x100(mm)

Warranty: 3 Year

Parts: HEPA Filters and UVC sterilising lamp are replaceable and will operate with or without





Aertek SlimDri



NBS BIM Data

NBS Code – **45-35-72 / 334 Hand dryers**

N13 Sanitary appliances and fittings

472 HAND DRYERS

Uniclass 2015 – **Pr_40_20_62_37 Hand dryers**

Pr_60_55_97_93 Ultraviolet (UV) disinfection devices

AERTEK SLIMDRI HAND DRYER – SATIN STAINLESS STEEL

Manufacturer and reference: **Aertek SlimDri**

o3 group ltd, Forsyth House, Belfast, BT2 8LA

W: www.o3group.uk

Contact: Colin O'Hare

E: mail@o3group.uk

Tel: +44 28 9065 6552

Product Reference: **Aertek SlimDri High Speed DDA Hand Dryer – Satin Stainless Steel**

Model Number : **AHD-ATSL03CS**

<https://www.ehanddryers.com/aertek-atsl03-slimdri-hand-dryer>

Description: High speed, Low energy, DDA compliant, Brushless, HEPA-filtered, UVC sterilising, Low-noise hand dryer

Body: Stainless Steel 304

Finish: Brushed/Satin Stainless Steel

Operation: Sensor IR Barrier

Hand Dryer Type: Hands-under blade, sterilising, filtered, carbon-free brushless DC motor

Drying Time: 13 Seconds

Noise: 70dB

Power: 700W – 300W adjustable

Standby Power: 1W

Electricity Supply: 220-240V AC 50/60Hz

Electrical Protection: IP24

Air Speed: 224mph

Motor Speed: 50,000rpm

Production: ROC Manufactured

Dimensions(WxHxD): 230x175x100(mm)

Warranty: 3 Year

Parts: HEPA Filters and UVC sterilising lamp are replaceable and will operate with or without

