



Aertek T3 Tap

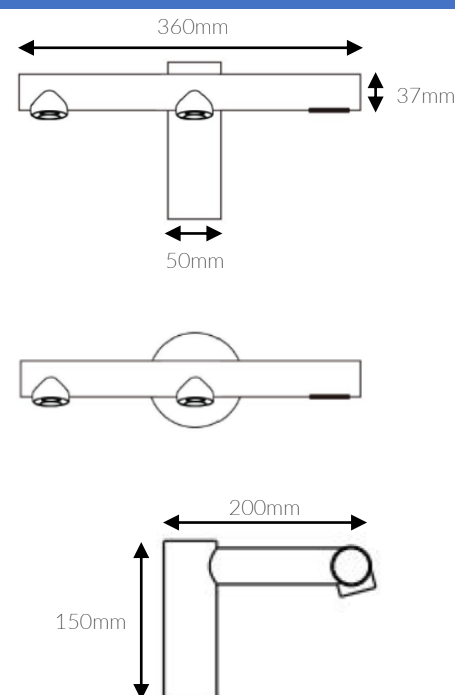


Aertek T3, 3-in-one, Wash+Dry, Over-Sink Hand Dryer

- Automatic Foam Soap, Sensor Tap & Hand Dryer
- Carbon-free digital brushless motor
- Ultra-quiet operation 70 dB
- Low-energy, intelligent power adjustment 450-1000W
- Deck or wall mounted
- Polished/satin stainless steel with **PVD colour** options

Technical Specifications

Warranty	3 Years
Green rating	3.5
Drying time (seconds)	16-24 seconds
Peak Noise level (dB)	70dB
Power (Watts)	1000 Watts- 450 Watts-
Voltage	110-240V 50/60Hz
IP rating	IP24
Air speed (mph)	179
Hygiene Features	
Antimicrobial coating	None
Width (mm)	360
Height (mm)	150
Projection/Depth (mm)	200
Finishes available	Black PVD, Brass/Gold PVD, Stainless Steel : Polished/Chrome, Stainless Steel : Satin/Brushed
Aperture Type	Jet Tap
Automatic / Manual	Automatic
External Switch	No
Heating Element	Yes
Max Air Volume (m3/hr)	
Max Motor Speed (rpm)	111,000
Standby Wattage (Watts)	0.25





Aertek T3 Tap



NBS BIM Data

NBS Code – **45-35-72 / 334 Hand dryers**
 N13 Sanitary appliances and fittings – **472 HAND DRYERS**
 N13 Sanitary appliances and fittings – **335/30 WASH BASINS**
 N13 Sanitary appliances and fittings – **458/62 SOAP DISPENSERS**

Uniclass 2015 – **Pr_40_20_62_37 Hand dryers**
 Uniclass 2015 – **Pr_40_20_87_98 Washbasin taps**
 Uniclass 2015 – **Pr_40_70_22_81 Soap dispensers**

AERTEK T3 Deck-mounted Hand Dryer Wash & Dry Tap - Satin Stainless Steel

Manufacturer and reference: **Aertek, T3 Wash & Dry Tap**

o3 group ltd, Forsyth House, Belfast, BT2 8LA

W: www.o3group.uk

Contact: Rory O'Hare

E: mail@o3group.uk

Tel: +44 28 9065 6552

Product Reference: **Aertek T3 Deck-mounted hand dryer tap – Satin Stainless Steel**

Model Number : **AHD-ATT3-DS**

Description: Combination, 3-in-one hand dryer tap with automatic foam soap dispenser and sensor water faucet. Deck mounted.

Body : Stainless Steel

Finish : Brushed/Satin

Operation : Sensor IR Barrier

Hand Dryer Type : Jet, focussed air stream, centrifugal brushless DC inline motor

Drying Time : 20 seconds

Noise : 70dB

Power : 450-1000W (automatically adjusting heating element)

Standby Power : 0.25W

Electricity Supply : 220-240V AC 50Hz

Electrical Protection : IP24

Air Speed : 179mph

Motor Speed: 111,000rpm

Fixings : Deck-mounted tap with control box incorporating 3 litre soap tank

Production : ROC Manufactured

Dimensions : 360x150x200(mm)

Warranty : 3 Years





Aertek T3 Tap



NBS BIM Data

NBS Code – **45-35-72 / 334 Hand dryers**
 N13 Sanitary appliances and fittings – **472 HAND DRYERS**
 N13 Sanitary appliances and fittings – **335/30 WASH BASINS**
 N13 Sanitary appliances and fittings – **458/62 SOAP DISPENSERS**

Uniclass 2015 – **Pr_40_20_62_37 Hand dryers**
 Uniclass 2015 – **Pr_40_20_87_98 Washbasin taps**
 Uniclass 2015 – **Pr_40_70_22_81 Soap dispensers**

AERTEK T3 Wall-mounted Hand Dryer Wash & Dry Tap - Satin Stainless Steel

Manufacturer and reference: **Aertek, T3 Wash & Dry Tap**

o3 group ltd, Forsyth House, Belfast, BT2 8LA

W: www.o3group.uk

Contact: Rory O'Hare

E: mail@o3group.uk

Tel: +44 28 9065 6552

Product Reference: **Aertek T3 Wall-mounted hand dryer tap – Satin Stainless Steel**

Model Number : **AHD-ATT3-WS**

Description: Combination, 3-in-one hand dryer tap with automatic foam soap dispenser and sensor water faucet. Wall mounted.

Body : Stainless Steel

Finish : Brushed/Satin

Operation : Sensor IR Barrier

Hand Dryer Type : Jet, focussed air stream, centrifugal brushless DC inline motor

Drying Time : 20 seconds

Noise : 70dB

Power : 450-1000W (automatically adjusting heating element)

Standby Power : 0.25W

Electricity Supply : 220-240V AC 50Hz

Electrical Protection : IP24

Air Speed : 179mph

Motor Speed: 111,000rpm

Fixings : Wall-mounted tap with control box incorporating 3 litre soap tank

Production : ROC Manufactured

Dimensions : 360x37x200(mm)

Warranty : 3 Years





Aertek T3 Tap



NBS BIM Data

NBS Code – **45-35-72 / 334 Hand dryers**
 N13 Sanitary appliances and fittings – **472 HAND DRYERS**
 N13 Sanitary appliances and fittings – **335/30 WASH BASINS**
 N13 Sanitary appliances and fittings – **458/62 SOAP DISPENSERS**

Uniclass 2015 – **Pr_40_20_62_37 Hand dryers**
 Uniclass 2015 – **Pr_40_20_87_98 Washbasin taps**
 Uniclass 2015 – **Pr_40_70_22_81 Soap dispensers**

AERTEK T3 Deck-mounted Hand Dryer Wash & Dry Tap - Polished Stainless Steel

Manufacturer and reference: **Aertek, T3 Wash & Dry Tap**

o3 group ltd, Forsyth House, Belfast, BT2 8LA

W: www.o3group.uk

Contact: Rory O'Hare

E: mail@o3group.uk

Tel: +44 28 9065 6552

Product Reference: **Aertek T3 Deck-mounted hand dryer tap – Polished Stainless Steel**

Model Number : **AHD-ATT3-DC**

Description: Combination, 3-in-one hand dryer tap with automatic foam soap dispenser and sensor water faucet. Deck mounted.

Body : Stainless Steel

Finish : Polished/Chrome

Operation : Sensor IR Barrier

Hand Dryer Type : Jet, focussed air stream, centrifugal brushless DC inline motor

Drying Time : 20 seconds

Noise : 70dB

Power : 450-1000W (automatically adjusting heating element)

Standby Power : 0.25W

Electricity Supply : 220-240V AC 50Hz

Electrical Protection : IP24

Air Speed : 179mph

Motor Speed: 111,000rpm

Fixings : Deck-mounted tap with control box incorporating 3 litre soap tank

Production : ROC Manufactured

Dimensions : 360x150x200(mm)

Warranty : 3 Years





Aertek T3 Tap



NBS BIM Data

NBS Code – **45-35-72 / 334 Hand dryers**
 N13 Sanitary appliances and fittings – **472 HAND DRYERS**
 N13 Sanitary appliances and fittings – **335/30 WASH BASINS**
 N13 Sanitary appliances and fittings – **458/62 SOAP DISPENSERS**

Uniclass 2015 – **Pr_40_20_62_37 Hand dryers**
 Uniclass 2015 – **Pr_40_20_87_98 Washbasin taps**
 Uniclass 2015 – **Pr_40_70_22_81 Soap dispensers**

AERTEK T3 Wall-mounted Hand Dryer Wash & Dry Tap - Polished Stainless Steel

Manufacturer and reference: **Aertek, T3 Wash & Dry Tap**

o3 group ltd, Forsyth House, Belfast, BT2 8LA

W: www.o3group.uk

Contact: Rory O'Hare

E: mail@o3group.uk

Tel: +44 28 9065 6552

Product Reference: **Aertek T3 Wall-mounted hand dryer tap – Polished Stainless Steel**

Model Number : **AHD-ATT3-WC**

Description: Combination, 3-in-one hand dryer tap with automatic foam soap dispenser and sensor water faucet. Wall mounted.

Body : Stainless Steel

Finish : Polished/Chrome

Operation : Sensor IR Barrier

Hand Dryer Type : Jet, focussed air stream, centrifugal brushless DC inline motor

Drying Time : 20 seconds

Noise : 70dB

Power : 450-1000W (automatically adjusting heating element)

Standby Power : 0.25W

Electricity Supply : 220-240V AC 50Hz

Electrical Protection : IP24

Air Speed : 179mph

Motor Speed: 111,000rpm

Fixings : Wall-mounted tap with control box incorporating 3 litre soap tank

Production : ROC Manufactured

Dimensions : 360x37x200(mm)

Warranty : 3 Years





Aertek T3 Tap



NBS BIM Data

NBS Code – **45-35-72 / 334 Hand dryers**
 N13 Sanitary appliances and fittings – **472 HAND DRYERS**
 N13 Sanitary appliances and fittings – **335/30 WASH BASINS**
 N13 Sanitary appliances and fittings – **458/62 SOAP DISPENSERS**

Uniclass 2015 – **Pr_40_20_62_37 Hand dryers**
 Uniclass 2015 – **Pr_40_20_87_98 Washbasin taps**
 Uniclass 2015 – **Pr_40_70_22_81 Soap dispensers**

AERTEK T3 Deck-mounted Hand Dryer Wash & Dry Tap – Black Satin PVD

Manufacturer and reference: **Aertek, T3 Wash & Dry Tap**

o3 group ltd, Forsyth House, Belfast, BT2 8LA

W: www.o3group.uk

Contact: Rory O'Hare

E: mail@o3group.uk

Tel: +44 28 9065 6552

Product Reference: **Aertek T3 Deck-mounted hand dryer tap – Black Satin PVD**

Model Number : **AHD-ATT3-DK**

Description: Combination, 3-in-one hand dryer tap with automatic foam soap dispenser and sensor water faucet. Deck mounted.

Body : Stainless Steel

Finish : Black Satin PVD

Operation : Sensor IR Barrier

Hand Dryer Type : Jet, focussed air stream, centrifugal brushless DC inline motor

Drying Time : 20 seconds

Noise : 70dB

Power : 450-1000W (automatically adjusting heating element)

Standby Power : 0.25W

Electricity Supply : 220-240V AC 50Hz

Electrical Protection : IP24

Air Speed : 179mph

Motor Speed: 111,000rpm

Fixings : Deck-mounted tap with control box incorporating 3 litre soap tank

Production : ROC Manufactured

Dimensions : 360x150x200(mm)

Warranty : 3 Years





Aertek T3 Tap



NBS BIM Data

NBS Code – **45-35-72 / 334 Hand dryers**
 N13 Sanitary appliances and fittings – **472 HAND DRYERS**
 N13 Sanitary appliances and fittings – **335/30 WASH BASINS**
 N13 Sanitary appliances and fittings – **458/62 SOAP DISPENSERS**

Uniclass 2015 – **Pr_40_20_62_37 Hand dryers**
 Uniclass 2015 – **Pr_40_20_87_98 Washbasin taps**
 Uniclass 2015 – **Pr_40_70_22_81 Soap dispensers**

AERTEK T3 Wall-mounted Hand Dryer Wash & Dry Tap – Black Satin PVD

Manufacturer and reference: **Aertek, T3 Wash & Dry Tap**
 o3 group ltd, Forsyth House, Belfast, BT2 8LA
 W: www.o3group.uk
 Contact: Rory O'Hare
 E: mail@o3group.uk
 Tel: +44 28 9065 6552

Product Reference: **Aertek T3 Wall-mounted hand dryer tap – Black Satin PVD**
 Model Number : **AHD-ATT3-WK**

Description: Combination, 3-in-one hand dryer tap with automatic foam soap dispenser and sensor water faucet. Wall mounted.

Body : Stainless Steel

Finish : Black Satin PVD

Operation : Sensor IR Barrier

Hand Dryer Type : Jet, focussed air stream, centrifugal brushless DC inline motor

Drying Time : 20 seconds

Noise : 70dB

Power : 450-1000W (automatically adjusting heating element)

Standby Power : 0.25W

Electricity Supply : 220-240V AC 50Hz

Electrical Protection : IP24

Air Speed : 179mph

Motor Speed: 111,000rpm

Fixings : Wall-mounted tap with control box incorporating 3 litre soap tank

Production : ROC Manufactured

Dimensions : 360x37x200(mm)

Warranty : 3 Years





Aertek T3 Tap



NBS BIM Data

NBS Code – **45-35-72 / 334 Hand dryers**
 N13 Sanitary appliances and fittings – **472 HAND DRYERS**
 N13 Sanitary appliances and fittings – **335/30 WASH BASINS**
 N13 Sanitary appliances and fittings – **458/62 SOAP DISPENSERS**

Uniclass 2015 – **Pr_40_20_62_37 Hand dryers**
 Uniclass 2015 – **Pr_40_20_87_98 Washbasin taps**
 Uniclass 2015 – **Pr_40_70_22_81 Soap dispensers**

AERTEK T3 Deck-mounted Hand Dryer Wash & Dry Tap – Brass/Gold Satin PVD

Manufacturer and reference: **Aertek, T3 Wash & Dry Tap**

o3 group ltd, Forsyth House, Belfast, BT2 8LA

W: www.o3group.uk

Contact: Rory O'Hare

E: mail@o3group.uk

Tel: +44 28 9065 6552

Product Reference: **Aertek T3 Deck-mounted hand dryer tap – Brass/Gold Satin PVD**

Model Number : **AHD-ATT3-DB**

Description: Combination, 3-in-one hand dryer tap with automatic foam soap dispenser and sensor water faucet. Deck mounted.

Body : Stainless Steel

Finish : Brass/Gold Satin PVD

Operation : Sensor IR Barrier

Hand Dryer Type : Jet, focussed air stream, centrifugal brushless DC inline motor

Drying Time : 20 seconds

Noise : 70dB

Power : 450-1000W (automatically adjusting heating element)

Standby Power : 0.25W

Electricity Supply : 220-240V AC 50Hz

Electrical Protection : IP24

Air Speed : 179mph

Motor Speed: 111,000rpm

Fixings : Deck-mounted tap with control box incorporating 3 litre soap tank

Production : ROC Manufactured

Dimensions : 360x150x200(mm)

Warranty : 3 Years





Aertek T3 Tap



NBS BIM Data

NBS Code – **45-35-72 / 334 Hand dryers**
 N13 Sanitary appliances and fittings – **472 HAND DRYERS**
 N13 Sanitary appliances and fittings – **335/30 WASH BASINS**
 N13 Sanitary appliances and fittings – **458/62 SOAP DISPENSERS**

Uniclass 2015 – **Pr_40_20_62_37 Hand dryers**
 Uniclass 2015 – **Pr_40_20_87_98 Washbasin taps**
 Uniclass 2015 – **Pr_40_70_22_81 Soap dispensers**

AERTEK T3 Wall-mounted Hand Dryer Wash & Dry Tap – Brass/Gold Satin PVD

Manufacturer and reference: **Aertek, T3 Wash & Dry Tap**

o3 group ltd, Forsyth House, Belfast, BT2 8LA

W: www.o3group.uk

Contact: Rory O'Hare

E: mail@o3group.uk

Tel: +44 28 9065 6552

Product Reference: **Aertek T3 Wall-mounted hand dryer tap – Brass/Gold Satin PVD**

Model Number : **AHD-ATT3-WB**

Description: Combination, 3-in-one hand dryer tap with automatic foam soap dispenser and sensor water faucet. Wall mounted.

Body : Stainless Steel

Finish : Brass/Gold Satin PVD

Operation : Sensor IR Barrier

Hand Dryer Type : Jet, focussed air stream, centrifugal brushless DC inline motor

Drying Time : 20 seconds

Noise : 70dB

Power : 450-1000W (automatically adjusting heating element)

Standby Power : 0.25W

Electricity Supply : 220-240V AC 50Hz

Electrical Protection : IP24

Air Speed : 179mph

Motor Speed: 111,000rpm

Fixings : Wall-mounted tap with control box incorporating 3 litre soap tank

Production : ROC Manufactured

Dimensions : 360x37x200(mm)

Warranty : 3 Years

