



Dyson Airblade V HU02

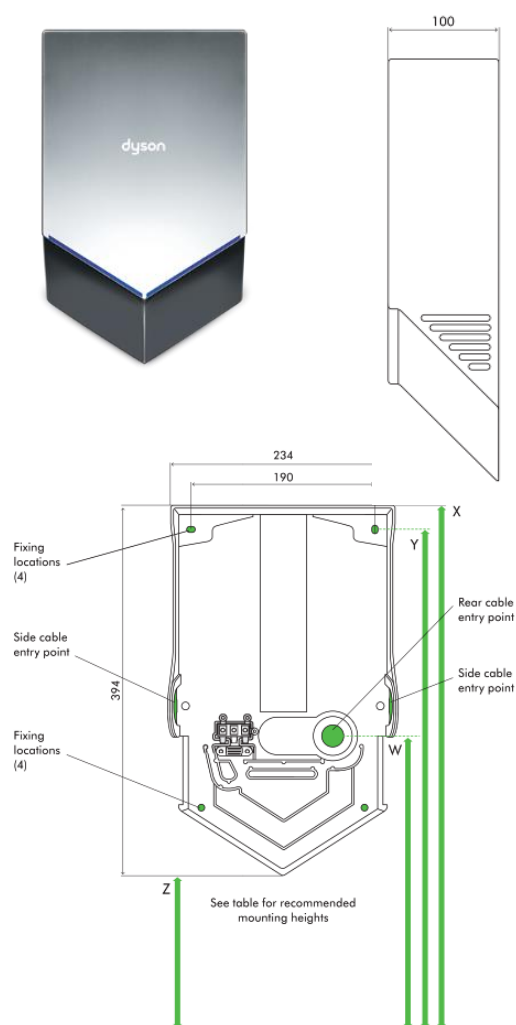


Airblade V (HU02) is the hands-under, high-speed, DDA-compliant hand dryer from Dyson

- ADA/DDA Compliant at 100mm projection
- High speed Brushless DC 88,000rpm motor
- Low-noise, Low Energy Energy
- 2 HEPA Grade 13 filters
- Available in White or 'Sprayed Nickel'
- 5-year replacement warranty

Technical Specifications

Warranty	5 Years
Green rating	4.1
Drying time (seconds)	10-12 seconds
Peak Noise level (dB)	79dB
Power (Watts)	1000 Watts-
Voltage	220-240V 50/60 Hz
IP rating	IP24
Air speed (mph)	430
Hygiene Features	Anti-microbial Coating HEPA Filtered
Antimicrobial coating	Microban
Width (mm)	234
Height (mm)	394
Projection/Depth (mm)	100
Finishes available	Silver/GreyWhite
Aperture Type	Blade
Automatic / Manual	Automatic
External Switch	No
Heating Element	No
Max Air Volume (m3/hr)	72m3/hr
Max Motor Speed (rpm)	83000
Standby Wattage (Watts)	0.5





Aertek SlimDri



NBS BIM Data

NBS Code – **45-35-72 / 334 Hand dryers**
 N13 Sanitary appliances and fittings
472 HAND DRYERS
 Uniclass 2015 – Pr_40_20_62_37 Hand dryers

Dyson Airblade V HU02 Hand Dryer – ‘Sprayed Nickel’

Manufacturer and reference: **Dyson Airblade V**
 o3 group ltd, Forsyth House, Belfast, BT2 8LA
 W: www.o3group.uk
 Contact: Colin O’Hare
 E: mail@o3group.uk
 Tel: +44 28 9065 6552

Product Reference: **Dyson Airblade V HU02 - ‘Sprayed Nickel’**
 Model Number : **AHD-DABHU02s**
<https://www.ehanddryers.com/dyson-airblade-v-quiet-hu02>

Description: High speed, Low energy, DDA compliant, HEPA-filtered, hand dryer with Dyson digital brushless motor

Body: Impact-resistant ABS

Finish: Sprayed Nickel (Silver/Grey)

Operation: Proximity Sensors

Hand Dryer Type: Hands-under blade,, filtered, carbon-free brushless DC motor

Drying Time: 12 Seconds

Noise: 79dB

Power: 1000W

Standby Power: 0.5W

Electricity Supply: 220-240V AC 50/60Hz

Electrical Protection: IP24

Air Speed: 430mph

Motor Speed: 83,000rpm

Production: Malaysia Manufactured

Dimensions(WxHxD): 234x3945x100(mm)

Warranty: 5 Year

Parts: HEPA Filters are replaceable with frequency depending on usage and location, normal expectancy is 5 years.

Warranty is operated directly with Dyson Aftercare





Aertek SlimDri



NBS BIM Data

NBS Code – **45-35-72 / 334 Hand dryers**
 N13 Sanitary appliances and fittings
472 HAND DRYERS
 Uniclass 2015 – Pr_40_20_62_37 Hand dryers

Dyson Airblade V HU02 Hand Dryer – White

Manufacturer and reference: **Dyson Airblade V**
 o3 group ltd, Forsyth House, Belfast, BT2 8LA
 W: www.o3group.uk
 Contact: Colin O'Hare
 E: mail@o3group.uk
 Tel: +44 28 9065 6552

Product Reference: **Dyson Airblade V HU02 - White**
 Model Number : **AHD-DABHU02w**
<https://www.ehanddryers.com/dyson-airblade-v-quiet-hu02>

Description: High speed, Low energy, DDA compliant, HEPA-filtered, hand dryer with Dyson digital brushless motor

Body: Impact-resistant ABS

Finish: White

Operation: Proximity Sensors

Hand Dryer Type: Hands-under blade,, filtered, carbon-free brushless DC motor

Drying Time: 12 Seconds

Noise: 79dB

Power: 1000W

Standby Power: 0.5W

Electricity Supply: 220-240V AC 50/60Hz

Electrical Protection: IP24

Air Speed: 430mph

Motor Speed: 83,000rpm

Production: Malaysia Manufactured

Dimensions(WxHxD): 234x3945x100(mm)

Warranty: 5 Year

Parts: HEPA Filters are replaceable with frequency depending on usage and location, normal expectancy is 5 years.

Warranty is operated directly with Dyson Aftercare

