

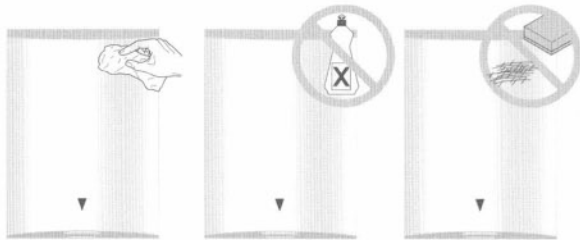
Recommended mounting heights - from bottom edge of dryer above finished floor (AFF)

Men	1000 mm	(40")
Women	960 mm	(38")
Children 4-7 years	812 mm	(32")
Children 8-10 years	860 mm	(34")
Children 11-13 years	910 mm	(36")
Children 14-16 years	960 mm	(38")
Wheelchair users	860 mm	(34")

Cleaning and Maintenance

Periodic cleaning of the unit is recommended to ensure optimum performance.

- Disconnect the electrical supply.
- Remove the two cover-mounting screws.
- Remove the cover.
- Clean all dust lint from the interior of the dryer.
- Wipe the cover with a damp cloth and mild cleaning solution. Do not Soak. Never use abrasives to clean the cover.
- Replace the cover. Do not over tighten the screws.

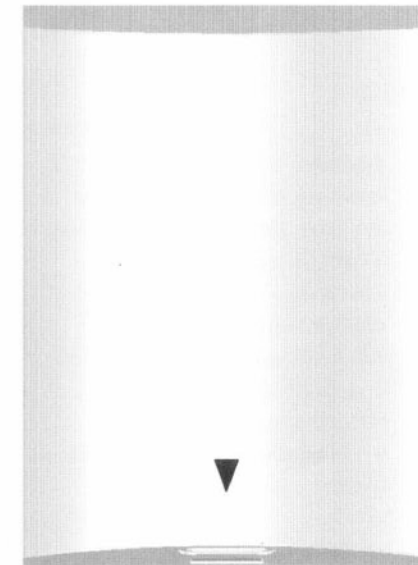


Operation

- No-touch operation
- Shake excess water from hands.
- Place hands under the outlet to start operation.
- Rub hands lightly and rapidly.
- Stops automatically after hands are removed.

airJET

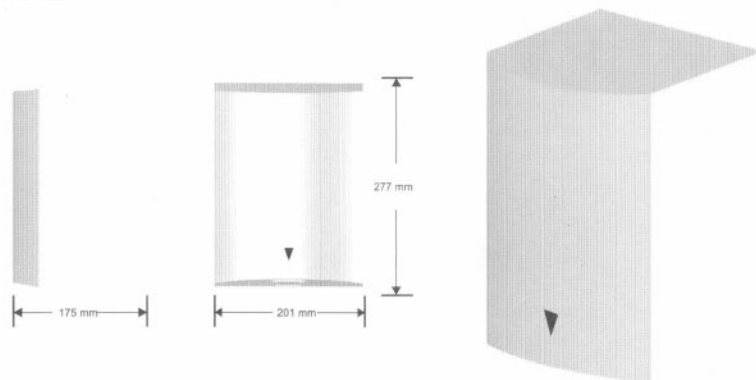
**High Speed Low Energy
Automatic Hand Dryer**



AIRJET HIGHSPEED HAND DRYER

Operating Instructions and Parts Manual (Automatic)

Surface Mount



TECHNICAL SPECIFICATIONS

ITEM CATEGORY	PERFORMANCE DATA
Operating Voltage	220-240Vac, 50/60 Hz, 1.34-1.6 kW
Warm Air Speed Output	75-100 m/s (169-225 mi/hr), Adjustable
Motor Type	350-700W, 12000-18000 R.R.M, Adjustable; Brush Type, Dual Ball Bearings
Motor Thermal Protection	Auto Resetting Thermostat turns unit off at 105°C (221°F)
Heater Element	450-900W, Adjustable
Heater Thermal Protection	Auto Resetting Thermostat turns unit off at 85°C (185°F)
Drying Time	Less than 15 seconds
Circuit Operation	Infrared Automatic, self adjusting
Sensor Range	51 mm to 330 mm (2" to 13"), adjustable; standard 18 cm±2 cm (7")
Timing Protection	60 seconds auto shut off
Drip proof	IPX1 ▲
Isolation	CLASS 1
Net Weight	5.8 kgs (12.8 lbs)
Shipping Weight	6.6 kgs (14.6 lbs)
Unit Size	201 mm W x 277 mm H x 175 mm D (7-29/32" x 10-29/32" x 6-57/64")
Cover Type	T15HD - Steel; White porcelain enamelled (t:1.6mm) T15HD/BS - Stainless steel; Bright finish. (#304 t:1.5 mm) T15HD/SS - Stainless steel; Satin finish. (#304 t:1.5 mm)

AIRJET Operating Instructions and Parts Manual

Surface-mounted high speed hand dryer

General safety information:

▲ WARNING This product is intended for installation by a qualified service person. Use 1.0 mm² solid conductor for wiring.

▲ WARNING Disconnect power at the service breaker before installing or servicing. NOT FOR HOUSEHOLD USE - MAY CAUSE BURNS. "IMPROPRE A L'USAGE DOMESTIQUE - PEUT OCCASIONNER."

▲ DANGER Failure to properly ground unit could result in severe electrical shock and/or death.

▲ WARNING All units must be supplied with a 3-wire service. The ground wire must be connected to the dryer's backplate.

-- NOTE: Do not install dryer over washbasin --

Type Y attachment

If the power supply cord is damaged, it must be replaced by the manufacturer or its service agent or a similar qualified person in order to avoid a hazard.

Means for disconnection must be incorporated in the fixed wiring in accordance with the wiring rules.

Installation

1. Make sure power supply breaker is switched off. Installation must be carried out in accordance with the current edition of the local wiring regulations code having jurisdiction. Installation should be performed only by a qualified electrician.
2. Place template against wall at desired height (see mounting height recommendations) and mark locations of 4 mounting holes and wire service entry at knockout (KO) location.
Note: For two or more dryers, dryers should be no closer than 610mm (24") on center.
3. Remove and retain 2 cover screws and cover.
4. Connect supply wires to terminal block where indicated and connect ground wire to base plate with ground screw (Connections: A. Connect the live wire (colored red or black) to the terminal block marked "L". B. Connect the neutral wire (colored white or blue) to the terminal block marked "N". C. Connect the ground wire (colored green or green and yellow) to the green screw marked "G"). Note that colors of live and neutral wires depend on voltage of supply service.
5. Replace cover. Do not over-tighten screws.

-- NOTE: Do not install dryer less than 750mm above a surface --