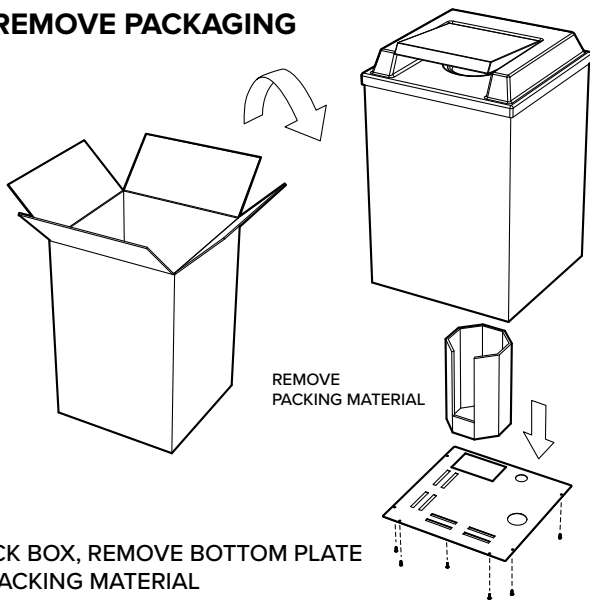
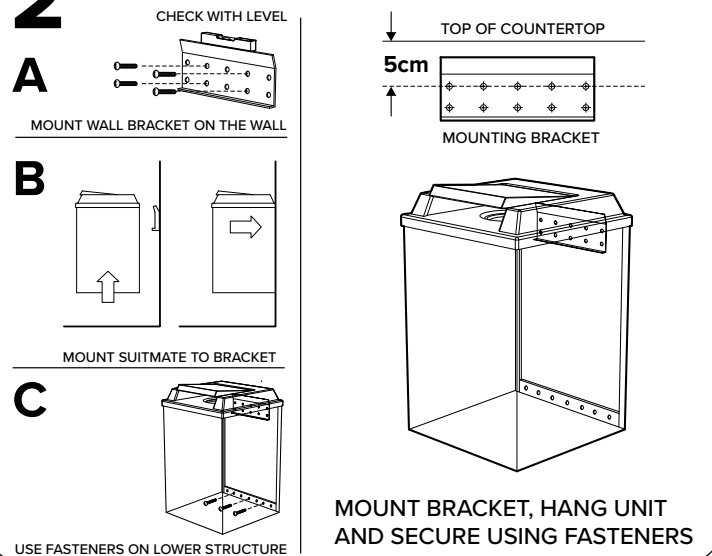


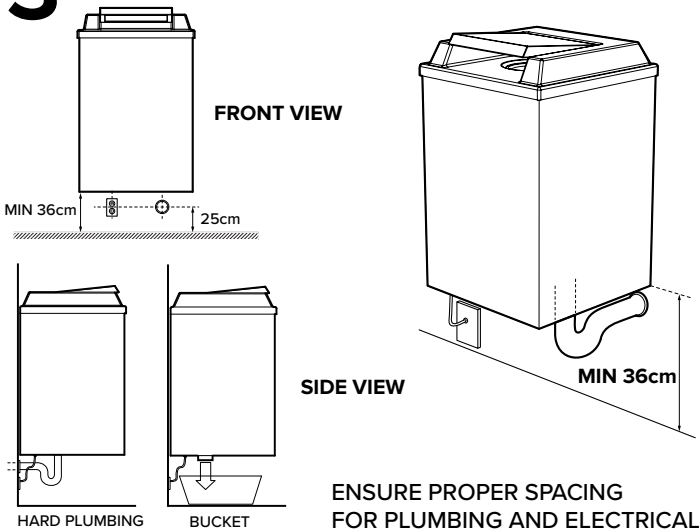
1 REMOVE PACKAGING



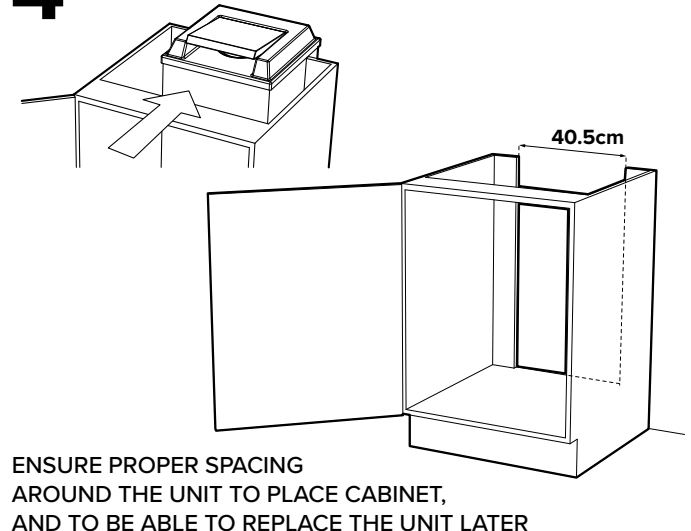
2 MOUNTING BRACKET INSTALLATION



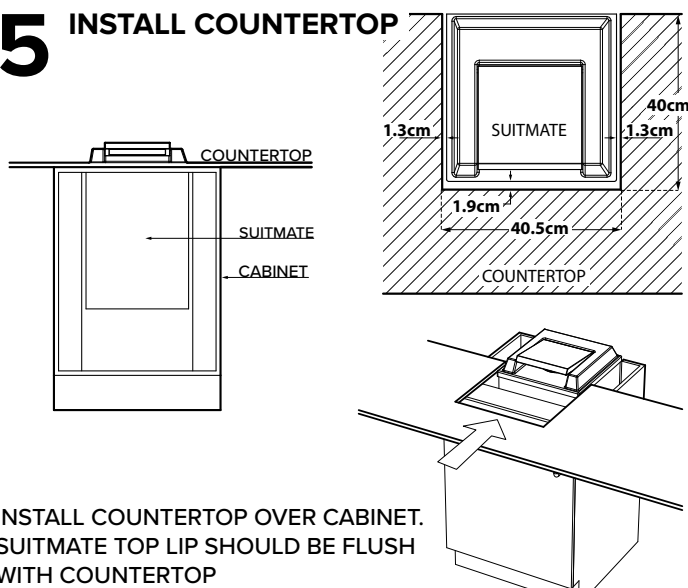
3 CONNECT PLUMBING/ ELECTRICAL



4 INSTALL CABINET



5 INSTALL COUNTERTOP



6 ALLOW ACCESS TO RESET ELECTRIC CIRCUIT

